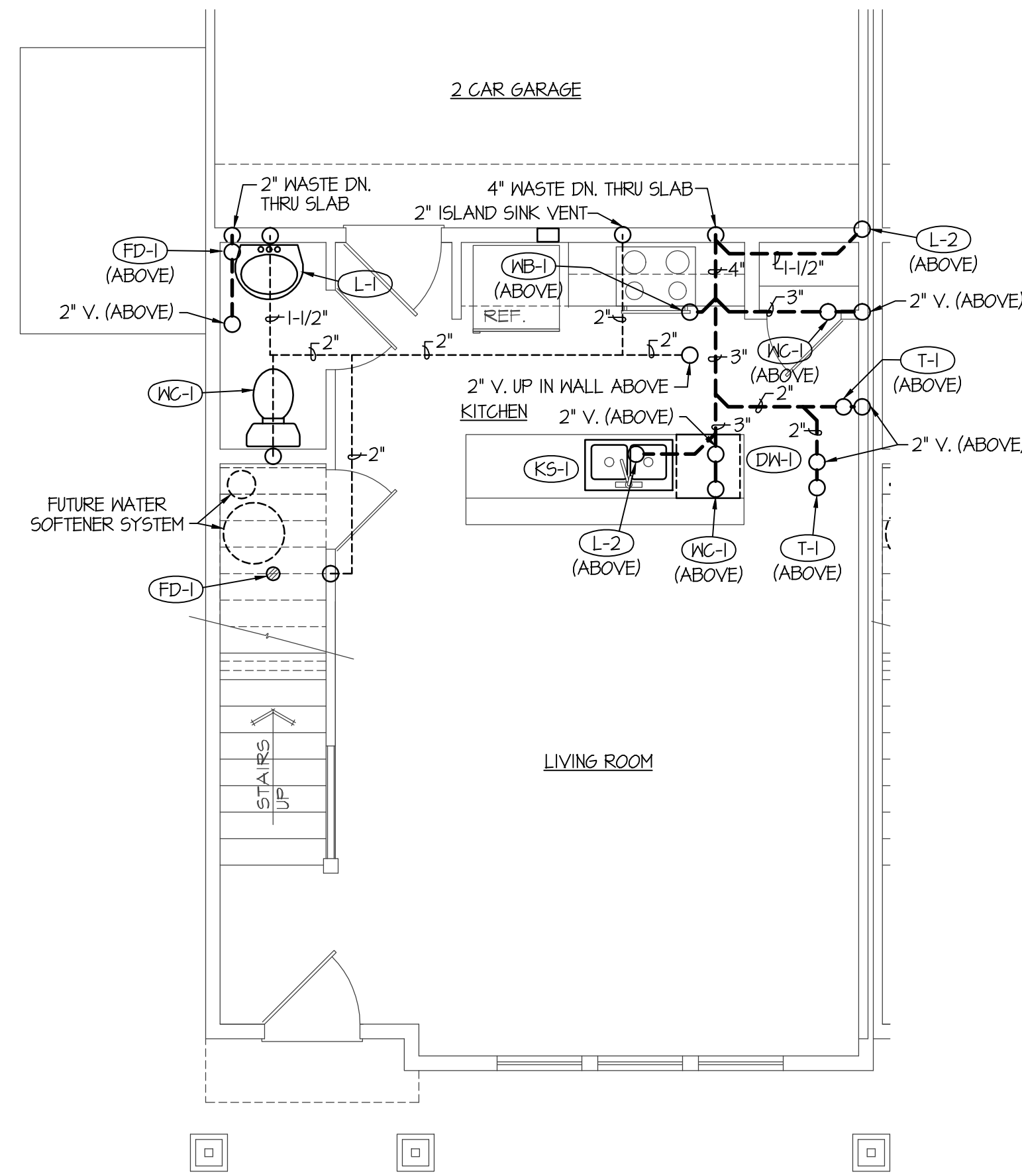


NOTES:

- 1 - ALL WATER PIPING INSTALLED UNDERFLOOR SHALL BE TYPE "K" COPPER
- 2 - WATER PIPE INSULATION ON UNDERFLOOR PIPING SHALL BE ARMAFLEX 3/4" THICK RUBBER PIPE INSULATION. TAPE INSULATION AT ALL SEAMS.
- 3 - MINIMUM PIPE SIZE UNDERFLOOR SHALL BE 3/4"
- 4 - SAND FILL AROUND PIPING SHALL BE A MINIMUM OF 4" THICK. MATERIAL SHALL BE HAND TAMPED, RODDED OR LIGHTLY COMPACTED DURING INSTALLATION. CARE SHOULD BE TAKEN NOT TO DEFORM OR OTHERWISE DAMAGE PIPING OR INSULATION.

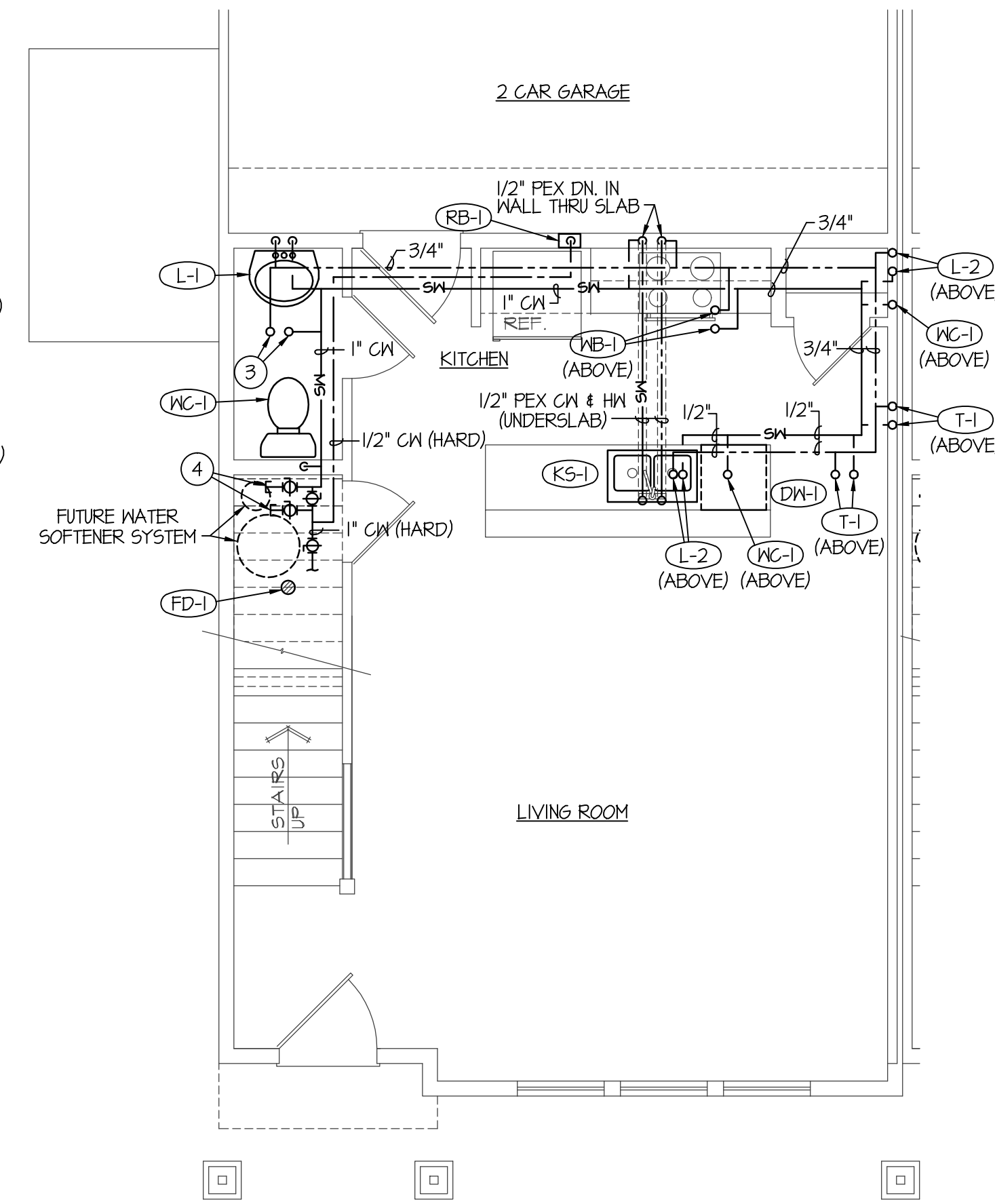
UNDER SLAB PIPE INSTALLATION DETAIL

NO SCALE



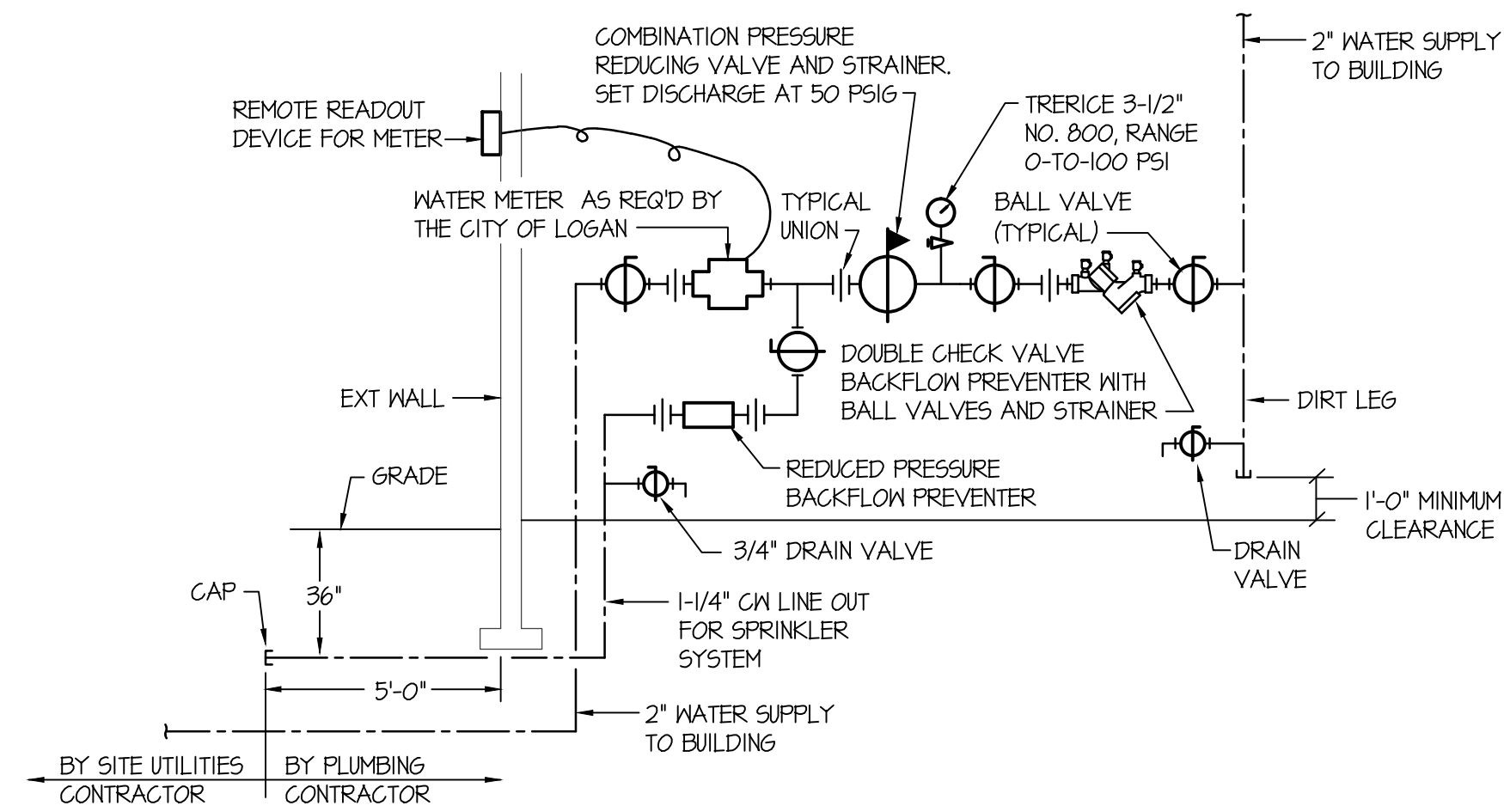
LARGE SCALE MAIN LEVEL WASTE & VENT PIPING PLAN

SCALE: 1/4" = 1'-0"



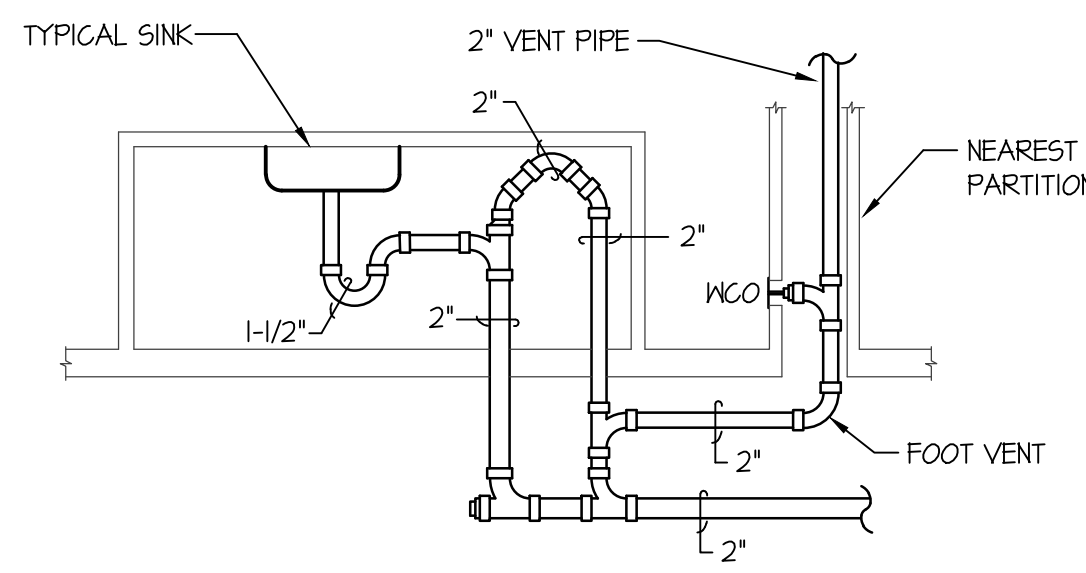
LARGE SCALE MAIN LEVEL WATER PIPING PLAN

SCALE: 1/4" = 1'-0"



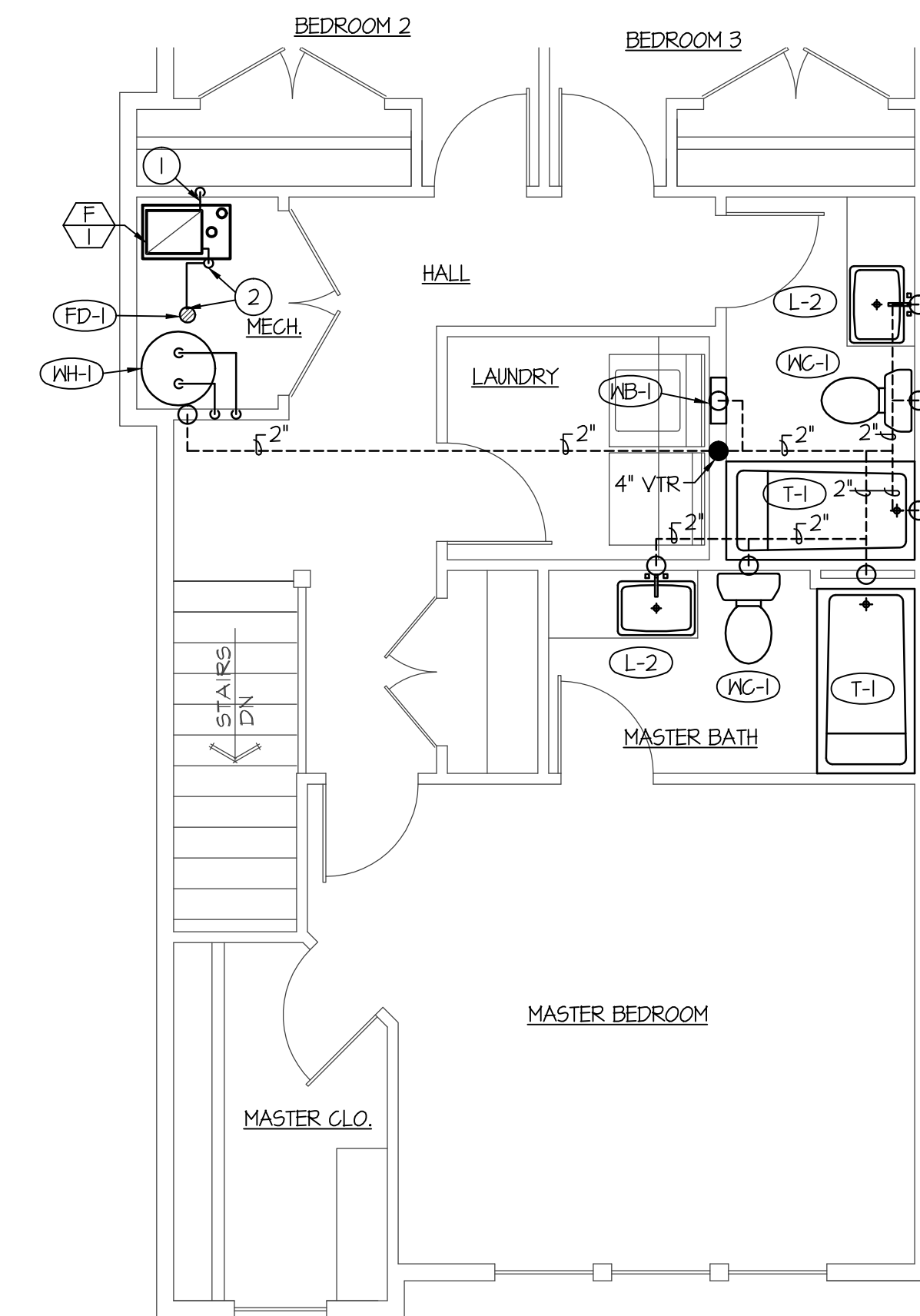
WATER PRESSURE REDUCING STATION DETAIL

NO SCALE



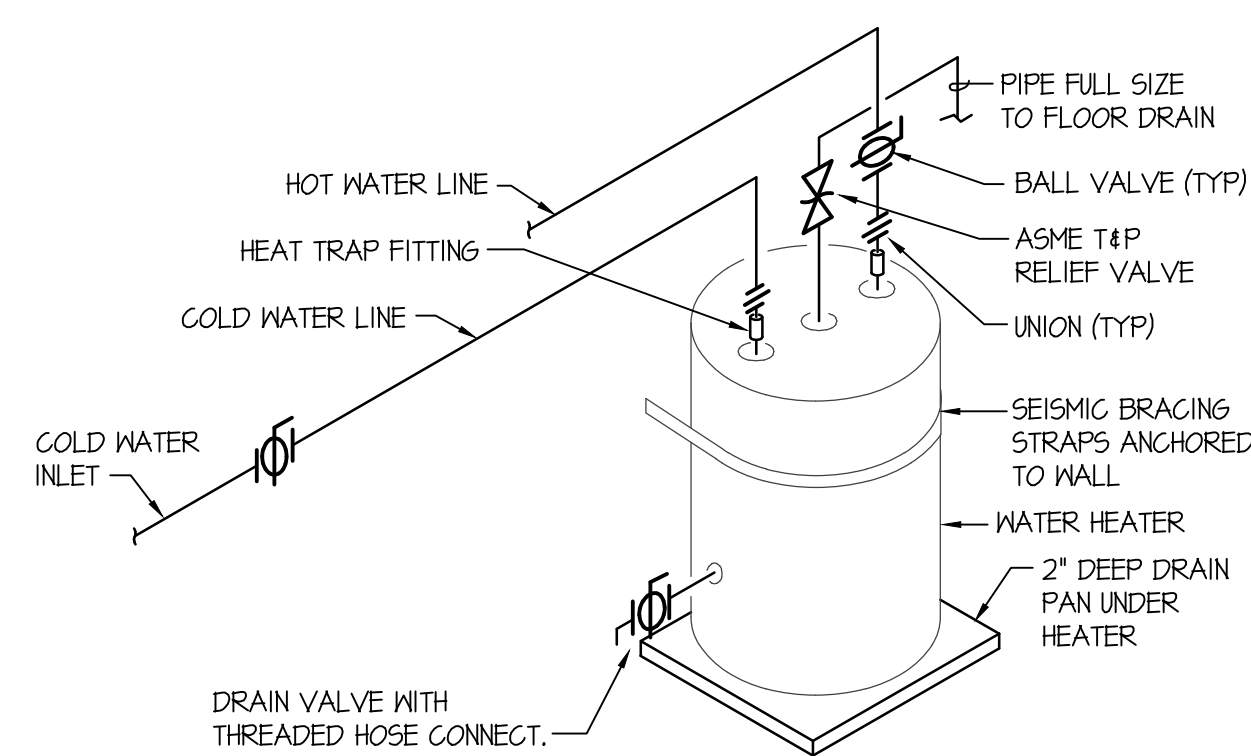
ISLAND SINK VENTING DETAIL

NO SCALE



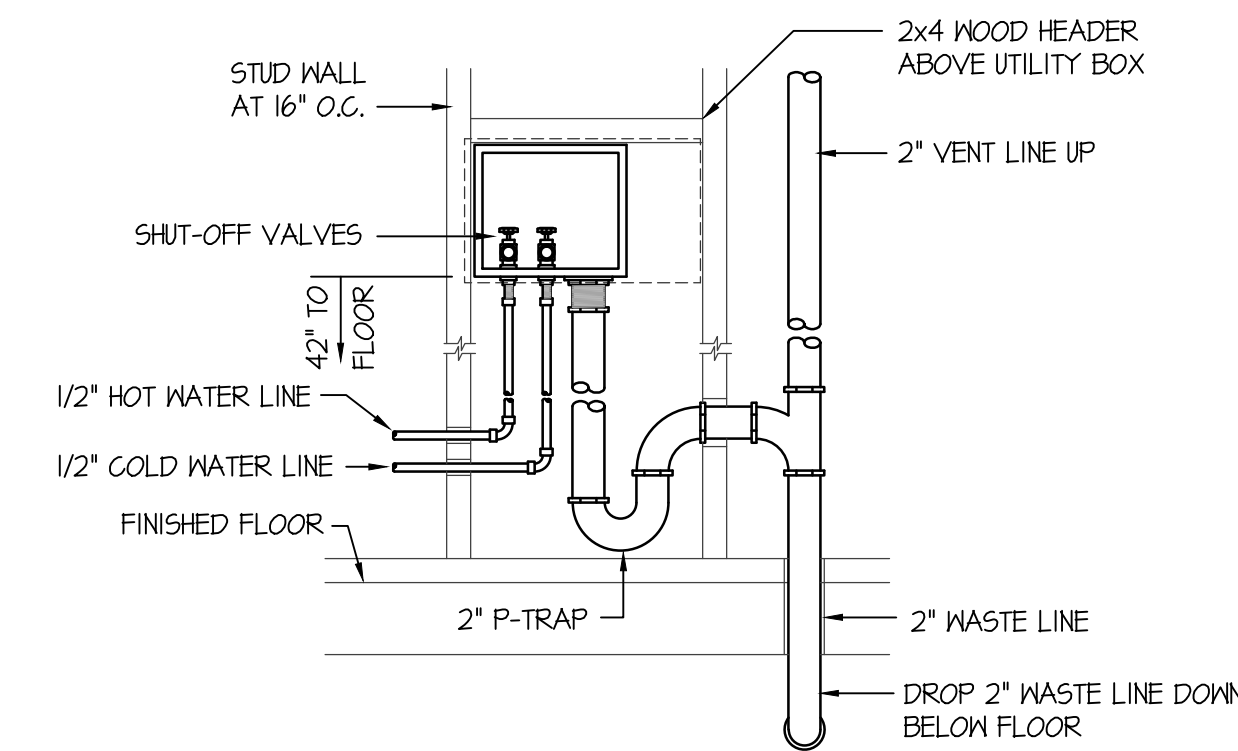
LARGE SCALE UPPER LEVEL PLUMBING PLAN

SCALE: 1/4" = 1'-0"



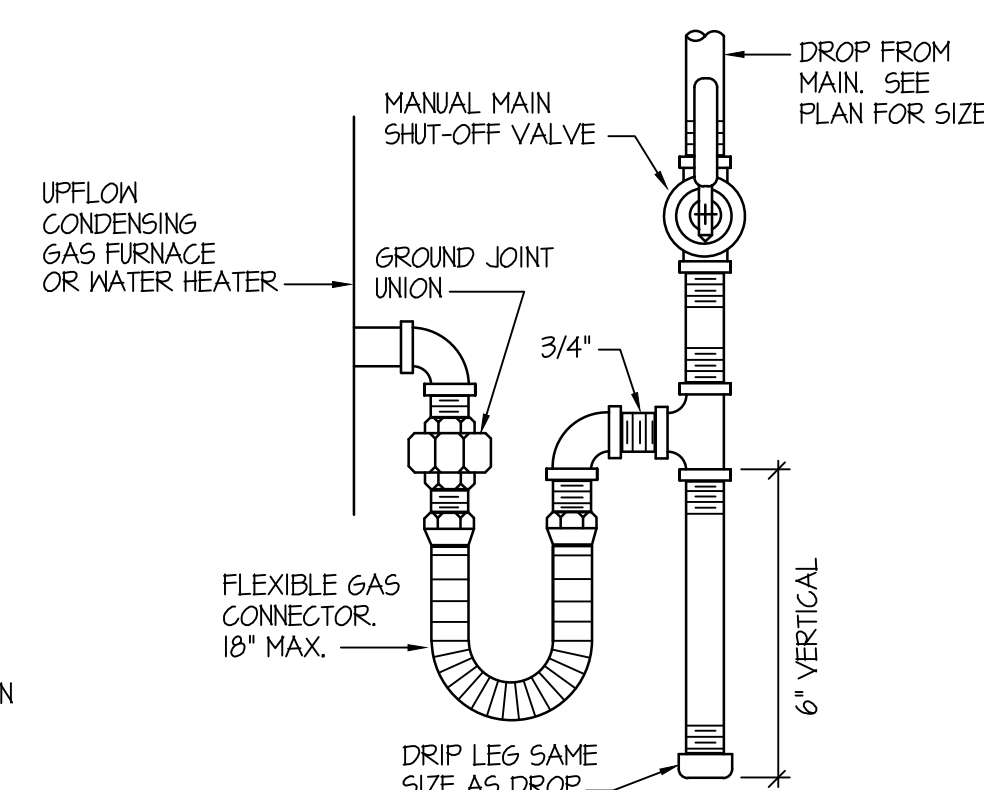
WATER HEATER PIPING DIAGRAM

NO SCALE



WASHER BOX PIPING DETAIL

NO SCALE



GAS LINE CONNECTION DETAIL

NO SCALE

PLAN NOTES:

- 1 CONNECT 3/4" GAS LINE TO FURNACE COMPLETE WITH SHUTOFF VALVE, DIRT LEG AND FLEXIBLE CONNECTION AS SHOWN ON DETAIL ON THIS SHEET.
- 2 RUN 3/4" CONDENSATE DRAIN LINE FROM FURNACE AND DX COOLING COIL DOWN TO FLOOR OF MECH. ROOM AND ACROSS TO FLOOR DRAIN. INSTALL DOWNTURNED 90° ELBOW ON END OF DRAIN LINE COMPLETE WITH AIRGAP.
- 3 3/4" CN AND 3/4" HW UP TO WATER HEATER ABOVE.
- 4 ROUGH-IN AND INSTALL WATER SOFTENER LOOP FOR FUTURE WATER SOFTENER INSTALLATION.



Engineered Systems Associates
Mechanical Engineers

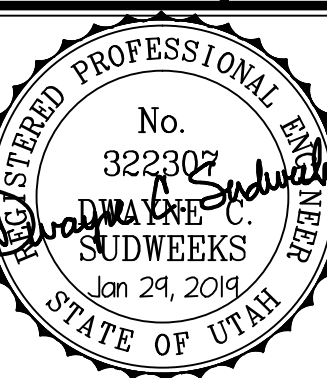
Dwayne Sudweeks
 1355 East Center - Pocatello, Idaho 83201
 Phone: (208) 233-0501 Fax: (208) 233-0529 email: es@engsystems.com

STRATA TOWNHOMES
 LOGAN, UTAH

LARGE SCALE PLUMBING PLANS

PROJECT:

SHEET TITLE:



DRWN. BY: SR	CHK. BY: DCS
JOB NO. 18043	DATE: DEC. 2018

SHEET: **P103**
 OF: FOUR